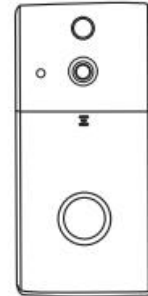


SNO[®]
KOREA TECHNOLOGY
SMART VIDEO DOORBELL

User Manual

Packing list

After opening it, please check whether the product is in good condition or not; confirm whether the accessories are complete as below.



Machine

Fittings:



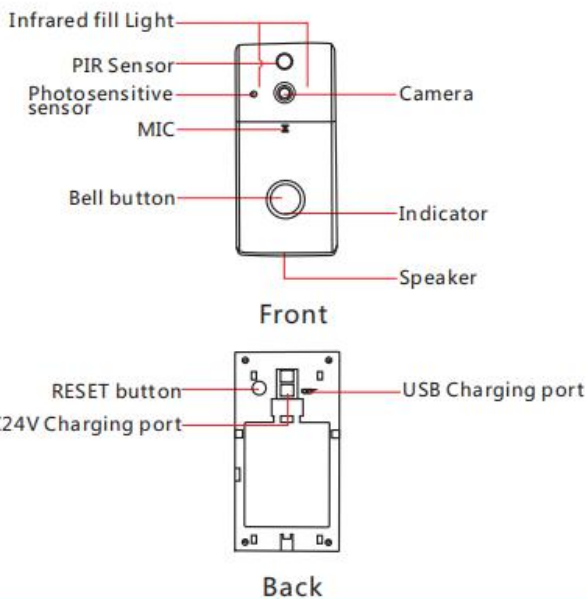
Screws Package *2



Wooden Screw *4

Appearance introduction

Before use, please be familiar with the interface and button of the doorbell.



Indicator Introduction

Blue light always on	Startup
Blue light flashes slowly	APP remote monitor and setup
Red light flashes slowly	Battery lower power

Operation manual

1. Device ready

First step: Install the backplane where you need to install the doorbell. (Expansion screws need to be used on cement and stone walls, wood screws or 3M glue can be used on wooden walls.)

Second step: Install the doorbell body into the backplane.

Notes: Long-press the RESET button for 5 seconds, loosen it when hear the voice prompt "restore factory settings, please don't power off". Then it can be restored to the factory default configuration.

2.Download APP



iCSee

Tips one: Scan QR code to download;

Tips two: Search and download "iCSee" in the Appstore or Googleplay;

3.Device network configuration

01. User login

- Open "iCSee", sign up a new account and log in(Figure1);
- If you have Wechat,You can use" WeChat shortcut login" directly (Figure1);

02.Device preparation

After the doorbell is installed, short-press the bell button to wake the doorbell.(Figure 2)



Click "sign up" and input the corresponding information.

Click the "WeChat" icon to set "WeChat shortcut login".

(Figure 1)



(Figure 2)

Notes: There is voice instruction throughout the process of device configuration. After hearing the voice prompt "wait to be configured", you can start configuring the device.

03.Add device

- After login successfully, click "Add My Camera" (Figure 3), input "WiFi password" (Figure 4). Finish the network configuration of the camera according to the APP operation hint.



(Figure 3)



Click to check if the WiFi password is right

(Figure 4)

- ⊕Add My Camera (recommended): Connect the device to the router.
- ⊕Add My Camera (AP mode): Connect the device to the router via AP mode.
- ⊕Add Shared Camera: Add a device that others share to you.Add the camera via inputting the device serial number or sharing information code or scanning device QR code.

⊕Add device in the same WLAN: When the device and your smart phone have been connected to the same router, you can use this way to add the camera.

⊕AP hotspot stand-alone mode: The device can also can view real-time video, which does not need to connect to the external network.

Notes: This device does not support the AP mode and the AP hotspot stand-alone mode.

Notes: If the configuration fails, reset the device.

04.Access device

After login success, you can use the mobile phone access the device through the APP, The device has the following states:



Device or network failure;

Offline



The device does not support remote wake-up (or be set to prohibit remote wake-up),you can press the button for manual awakening and access the device.

Deep dormancy



The device is in low-power mode state, it needs to be awakened then access.

Dormancy



The device is being awakened

Awaking



In this state, The mobile phone can make various accesses to the device;

Online

05.Message push

When a visitor presses a button or an alarm is generated, the device sends a message to the phone. You can receive the message in the following two ways:

1.Receive the message via the APP



Set up in the device use APP notification message.



Confirm the current account.

2.Receive the message via WeChat.



Log in APP with WeChat



Set up in the device use Wechat notification message.



Search in WeChat and flow the "ICSEE" official Account.

notes : If the Mobile phone is set up to power saving mode, such as screen off & network off, it will not receive the message in time. Since android phones do not agree on the default handling of message interceptions, it is recommended to use WeChat receive message except the iPhone and Huawei phones.

notes : The device would only send the message to the account which has the contact permission, please ensure that current account has been assigned to the contact person.

06.Bell Device Configuration

If you buy a Bell Device, you can associate the Bell Device with the Video Doorbell, and the bell device will also ring when you press the bell button.

First step: Long-press the volume button of the Bell Device until the indicator of the bell is no longer flashing.

Second step: Short-press the bell button of the Video Doorbell; if the bell is ringing at the same time, the configuration is successful.



FAQ

Q: How does the device store video?

A: The video doorbell supports 32GB maximum TF card, which will automatically loop recording when it's fulfilled.

Q: How to fix the problem of device offline?

- A:**
- Check whether the device electricity is exhausted.
 - Reconfigure the device.
 - Check if the home network broadband is normal.

Q: How to switch the network environment?

A: When used in a new network environment, please long-press the RESET button for 3~5 seconds, loosen it when hear the voice prompt "restore factory settings, please don't power off". After reset successfully, configure the network again.

Q: Why does the device do not respond when press the RESET button after startup?

A: It needs to wait 8 seconds to press the RESET button, please wake the device startup via pressing the bell button.

Q: Why do people hover, but the doorbell did not push the alarm?

A: Alarm push may be turned off, or user login the device remotely already.

Directions

App and device firmware will have new update irregularly, you could upgrade it online at app setting, instructions are for reference only.

Warranty Card

Notice

While using this product, please modify the user password.

Do not install the device in damp, dusty, children easy access to the venue.

Please place it under the specified condition of temperature and humidity, do not disassemble it at all.

Product Name		Model	
Purchase Date		Purchase Store	
Cause			
Process			
Customer Name		Customer Gender	
Customer Phone		ZIP	
Address			

Warranty period:one year.

This warranty card is only for our company's products.